

Mechanical temperature switches

T2H

with capillary

Features

- ▶ Dual switch with remote sensor and explosion proof housing
- ▶ Terminal clip integrated, set point adjustment in °C and °F under tamper protected cover
- ▶ Protection class: IP65, NEMA 4 / 13
- ▶ For use as two position controller
- ▶ Optional for high circuit S2:
 - Disconnection with manual reset, RD-micro switch
 - Adjustable hysteresis (dead band), S-micro switch
 - The low circuit S1 can also be used for max. or min. monitoring or for sensor monitoring
- ▶ Approvals: Ex ia, UL, CSA, SIL2 (IEC 61508)

Adjustment ranges

-45 °C...+66 °C to +160 °C...+316 °C

Applications

Temperature monitoring and control in industry, shipbuilding, railcars



Technical Data

Housing material:	Die-cast aluminium, anodized
Temperature sensor material:	304 stainless steel (1.4301)
Temperature sensor type:	Capillary, 1.8 m long (6 foot) (optional 3.6 m and 7.5 m) (12 and 25 foot), armoured. If not equipped with thermowell the sensor may only be used up to 21 bar max.
Operation pressure: without thermowell: with thermowell:	max. 21 bar (max. 300 psi) see page "Accessories" table 1.4
Operation temperature: Housing: Sensor:	-40°C...+75°C (-40°F...167°F) except temp. code 601, 603: -18°C...+75°C (0°F...167°F) see table "Adjustment range" (Sensor temperature limits)
Electrical values:	All models are equipped with SPDT contacts
Micro switch type:	H, M, GH, GM, S, RD

Electrical connection:	3/4" NPT female, internal screw terminal, cable gland in PA in PA, for cable size 6...12 mm is included
Protection class:	IP65, NEMA 4 / 13
Set point adjustment:	Turn adjustment knob clockwise to increase the actuation point
Standards:	The equipment is in conformity with the following harmonised European standards: EN 60014 1977 + A1 to A4 and EN 500120 1977 + A1
Intrinsically safety:	The switches are also suitable for intrinsically safe applications. In this case we recommend gold contacts. Add "Exi" in case of ordering. Maximum rating according to ATEX: U _{max} = 28 V I _{max} = 50 mA
Approvals:	Ex ia, UL, CSA
Weight:	1.5 kg approx.

Adjustment ranges

Code adjustment range	Sensor temperature limits (°C)	Adjustment range (°C)	Hysteresis (°C)* for micro switch			
			H, GH	M, GM	S	RD
						2.8...manual
154	-73 ... +93	-45... +66	0.5... 1.1	1.1... 2.2	2.2... 8.3	
251	-73 ... +149	+10... +121	0.5... 1.1	1.1... 2.2	2.2... 8.3	
351	-73 ... +205	+66... +177	0.5... 1.1	1.1... 2.2	2.2... 8.3	
601	-18 ... +343	+149... +227	1.1... 2.2	2.2... 3.3	3.9... 13.9	
603	-18 ... +343	+160...+316	1.1... 2.2	2.2... 3.3	3.9... 13.9	

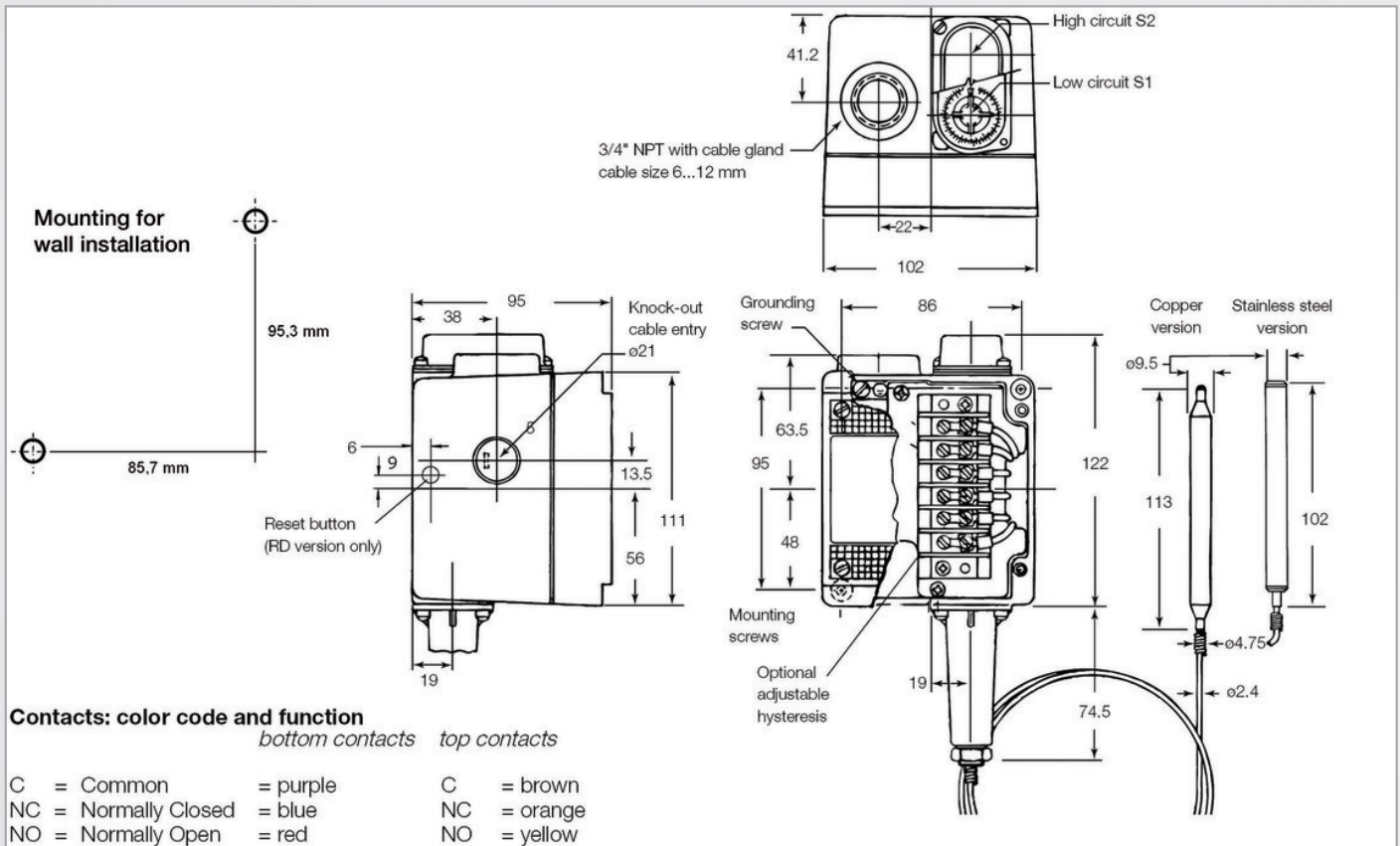
* Dependent on medium

Temperature

Mechanical temperature switches

T2H

Dimensions (mm / inch)



Electrical Ratings

Micro switch	Special features	Volt AC 50/60 Hz	Ind. load A	Res. load A	Volt DC	Ind. load A	Res. load A	Comments
H	Micro switch with silver contacts	125 250 480	10 10 3	10 10 3	6 to 28	0.50	0.5	Small hysteresis; High AC / low DC loads
M	Micro switch with silver contacts	125 250 480	10 10 3	10 10 3	12 24 250	5.00 1.00 0.25	15.0 2.0 0.4	Medium hysteresis; High AC and DC loads
GH	Micro switch with gold contacts for low voltage and low current (e. g. "Exi")	125	1	1	24	1.00	1.00	Small hysteresis
GM		30	0.1	0.1	30	0.10	0.1	Medium hysteresis
S	Micro switch with silver contacts	480	15	15	125	0.05	0.4	Adjustable hysteresis
RD *	Micro switch with silver contacts	480	10	10	125	0.4	0.75	Manual reset (S2 only)

* Please note: enter "RD" in "Option" and the micro switch for S1 (H, M, GH or GM) in "Micro switch" when placing your order.
Hermetically sealed micro switch (HT2H) on request

Sensor lengths / Options

Sensor lengths		Options	
S-A	1.8 m, armoured, SS (6 foot)	RD	Manual reset (S2 only)
S-12-A	3.6 m, armoured, SS (12 foot)	EXI	for intrinsically safe application, Ex ia
S-25-A	7.5 m, armoured, SS (25 foot)		

Order Code

Example for order number

Type	Micro switch	Code Adjustment range	Sensor length	Options
T2H	GH	251	S-A	EXI

Your order number

T2H				
-----	--	--	--	--