

Model H241 Helical Flow Meter (Analog)

100 cc/min to 189 liters/min

SPECIFICATIONS

Flow Range	100 cc/min to 189 liters/min
Accuracy (at 30 cP)	± 0.2% of reading over a 50:1 range
Maximum Operating Pressure	500 psi (35 bar) - NPT Only 3500 psi (240 bar) - ANSI Flange Only
Weight	14 kg
Recommended Filtration	150 micron
Port Size(s)	1 1/2" NPT 1 1/2" (DN 40) ANSI RF Flanges - Customer Supplied
Fluids	Most non-aqueous, hydrocarbon based liquids
Options	Liquid heat trace bodies available



MATERIALS OF CONSTRUCTION

External	Stainless steel, type 303, Nitrided type 303; Zinc plated bolts
Wetted	Stainless steel, type 303, Nitrided type 303, 440C; Alnico magnet
O-rings	Standard: Viton® Optional: Teflon®, Perfluoroelastomer

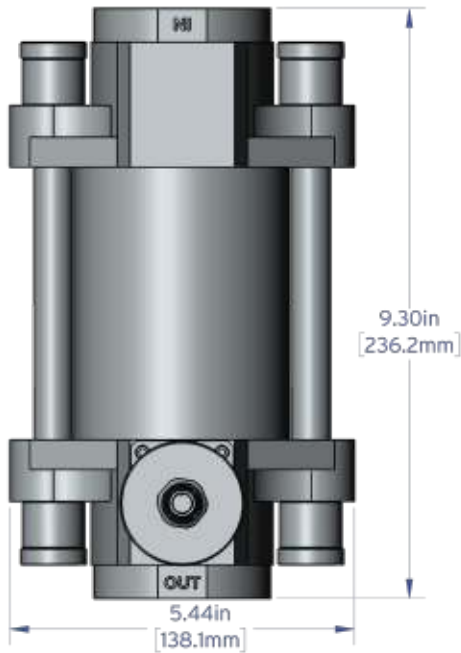
ANALOG TRANSMITTER

Output Signal	Any range of ± 10V or ± 20mA Linearized and damped with anti-dither protection
Power Supply Requirements	Two Models: 12Vdc @ 90 mA, 24Vdc @ 45 mA
Ambient Operational Range	-40°C to 80°C, Single piece – Two piece to 110°C
Metered Liquid Temp Range (based on 20° ambient)	-40°C to 90°C, Standard model -40°C to 225°C, Two piece high temperature model
Compliance	CE Certified, Ex-proof version available with ATEX/IECEX II 2 G Ex db IIB Tx Gb as well as UL, cUL certification for Class 1, Division 1, Groups C and D, Tx

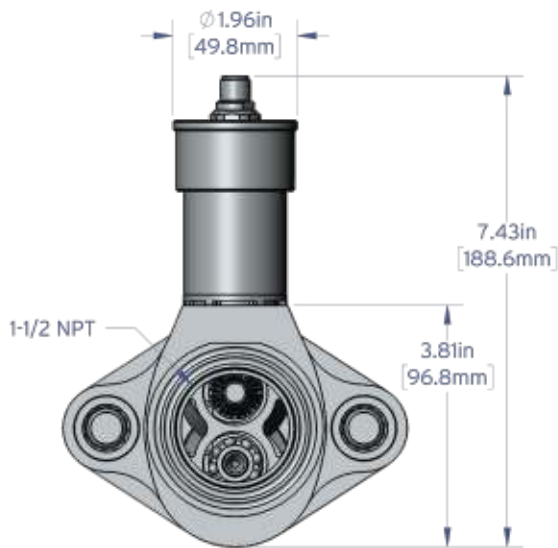
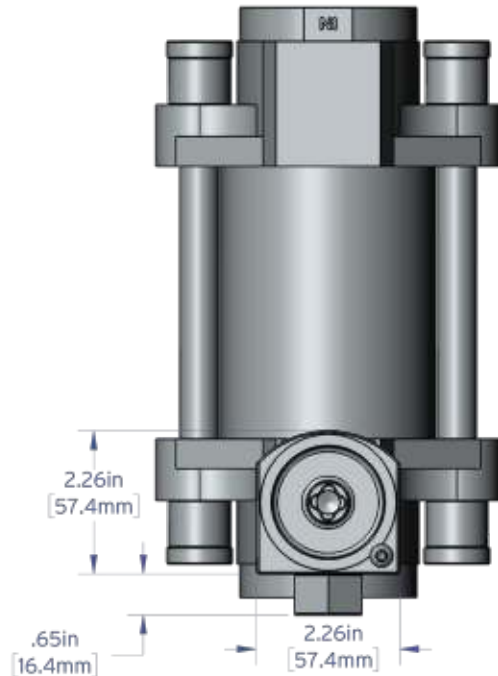
Model H241LS Flow Meter

DIMENSIONS (Not to Scale)

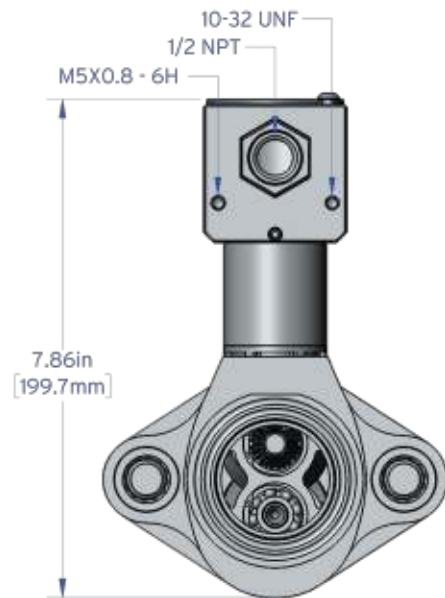
INDUSTRIAL HOUSING
SIDE VIEW



EX-PROOF HOUSING
SIDE VIEW



INDUSTRIAL HOUSING
END VIEW

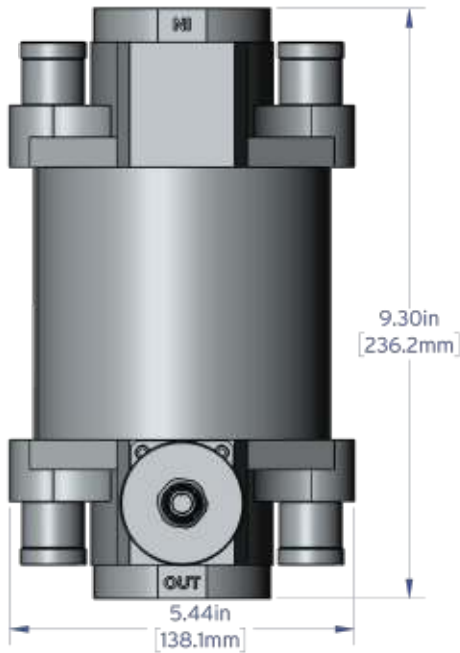


EX-PROOF HOUSING
END VIEW

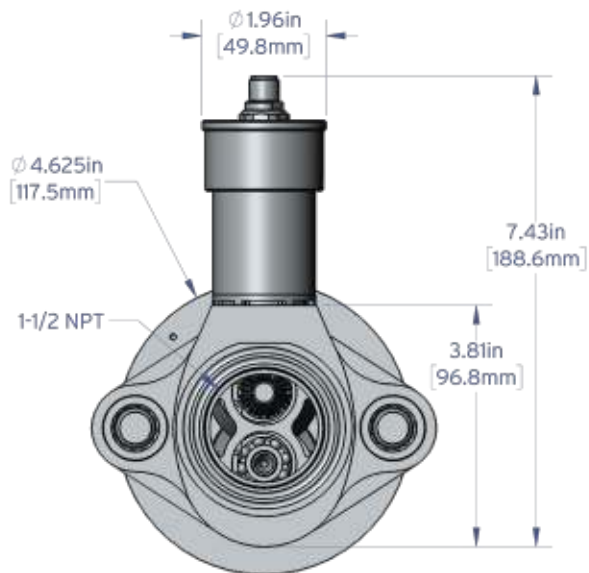
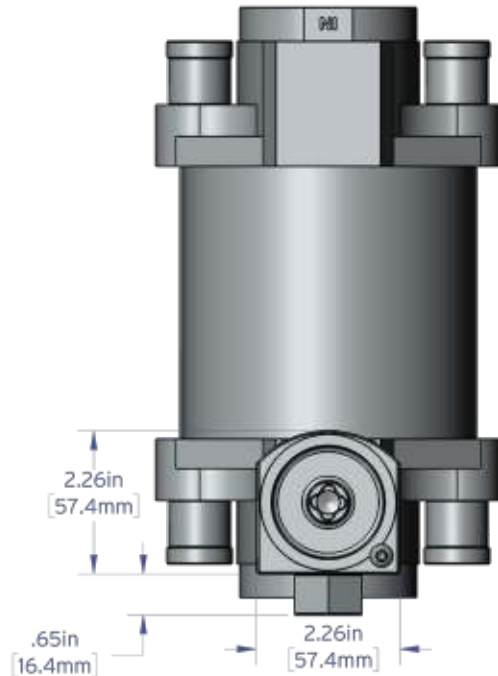
Model H241MS Flow Meter

DIMENSIONS (Not to Scale)

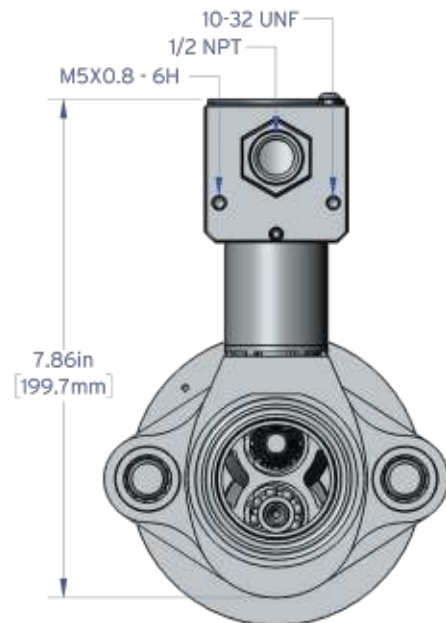
INDUSTRIAL HOUSING
SIDE VIEW



EX-PROOF HOUSING
SIDE VIEW



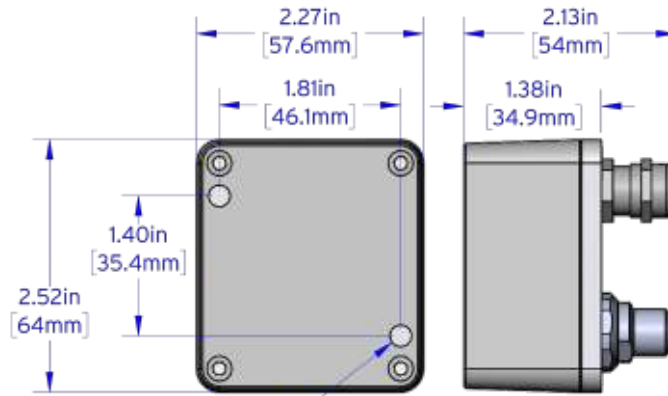
INDUSTRIAL HOUSING
END VIEW



EX-PROOF HOUSING
END VIEW

Model H241 Flow Meter

DIMENSIONS (Not to scale)



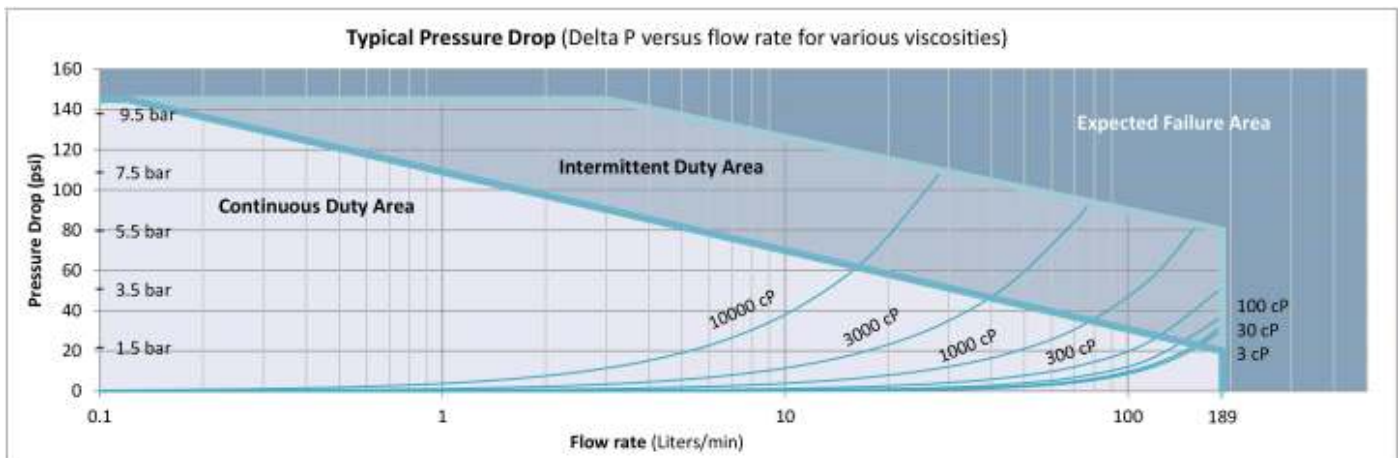
12-24 UNC
 REMOTE PCA ENCLOSURE FOR HIGH TEMPERATURE TRANSMITTERS
 (Not Shown: Industrial 2 meter interconnect cable included, Ex-Proof user supplied interconnect cable required)

CONNECTIVITY

ELECTRICAL CONNECTION – ANALOG TRANSMITTERS

PCA Label	Turck® Connector		
	Pin #	Mating Cable Wire Color	
Power *	V+	1	Brown
Common	Com	4	Black
Signal Output (+)	Sig	5	Grey
Signal Output (-)	Ret	2	White
Case Ground	Case	3	Blue

PRESSURE DROP GRAPH





Max Machinery, Inc.
an ISO 9001:2015 certified company

Positive Displacement Flow Meters

Helical Rotor Type, H-Series

Flow Meter Selections Transmitter Selections

Model # / / - Non-Standard Options

Bi-Directional Cal: BID

0 Transmitter Type

Max Flow Range

189 Liters/Min	H241	LS	1
189 Liters/Min	H241	MS	5
500 Liters/Min	H242	LS	1
500 Liters/Min	H242	MS	5

Output Type

A	A	4-20mA Output - Powered by 24 Vdc
A	B	4-20mA Output - Powered by 12 Vdc
A	C	0-10 Volt Output - Powered by 24 Vdc
A	D	0-10 Volt Output - Powered by 12 Vdc
P	N	5V Pulse - Powered by 5-26 Vdc
Q	N	5V Quadrature - Powered by 5-26 Vdc
P	S	Current Sinking, Single Phase

Pressure

500 psi (35 bar)	LS
3500 psi (245 bar)	MS

Includes Flange Bolt Kit (see below)

Temperature Rating

1	90°C Industrial / 75°C Haz-Loc
2	130°C Haz-Loc Only, 2 Part **
3	225°C Industrial, 2 Part †

Fluid Connection

NPT	1
Wafer-Mounted Between Customer's Flanges	5

Electrical Connection

1	Industrial, Turck® Connector
2	Hazardous Location, 1/2 Inch Conduit*

Seal Selection

Viton® - FKM	1
Teflon® - PTFE	3
Perfluoroelastomer - FFKM	5

Signal Type

P	Pulse
A	Analog
Q	Quadrature

Options

None	NA
Heat Trace Option	HT

Flange Bolt Kit Details

Model H241 Bolts	3500 psi Bolt Kit for 2500 lb. ANSI Flanges
Model H242 Bolts	3500 psi Bolt Kit for 1500 lb. ANSI Flanges

* See temp chart in product manual.

** Receiver portion of 2 part transmitters are not rated Ex-Proof, consult factory.

† Not available for hazardous location use. (Exceeds 130°C temp. limit.)

Product includes single directional calibration; bi-directional calibrations for Analog and Quadrature devices are optional.

ANSI Flanges supplied by customer.